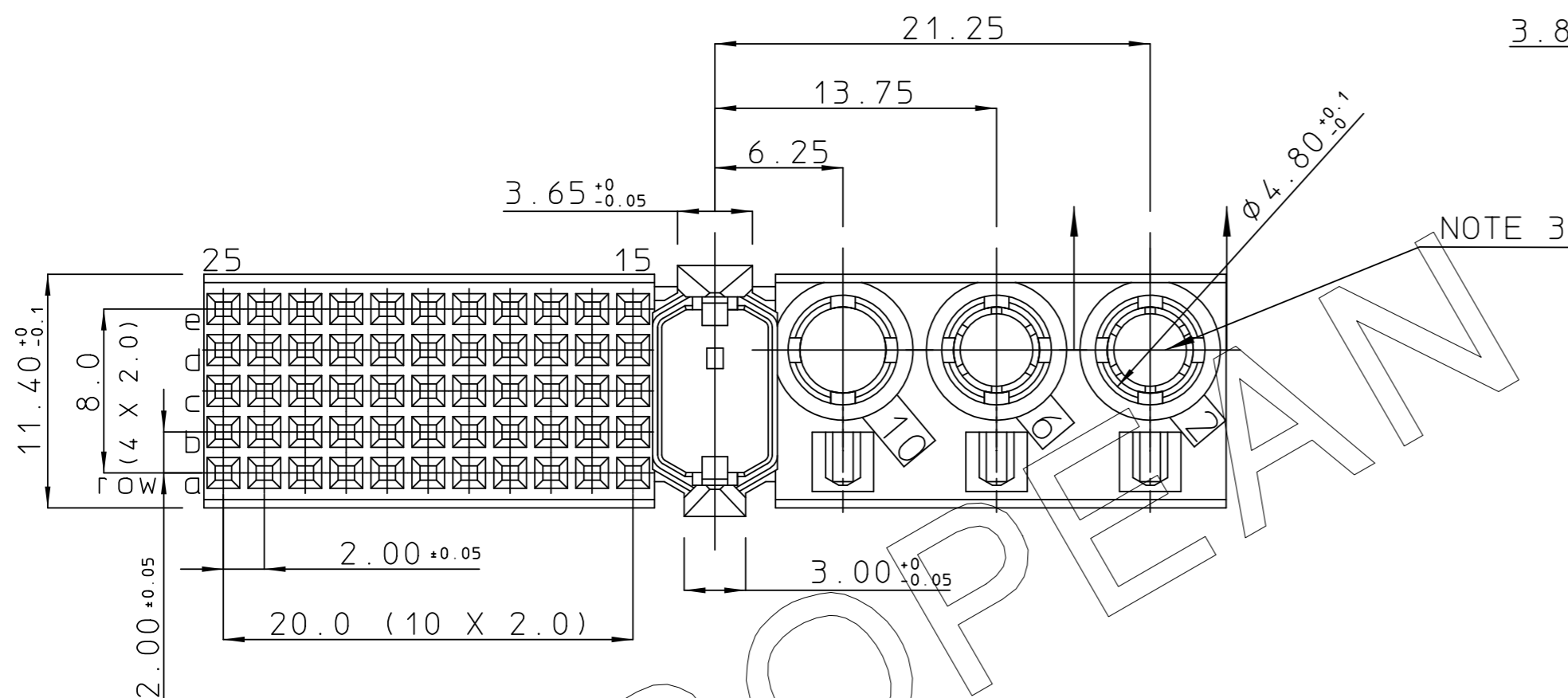


LOADING POWER CONTACTS :

POSITION	PART.NR.	MAX. CURR.	LAY-OUT
2 & 6 & 10	RC12P1E82DRP	40 A.	



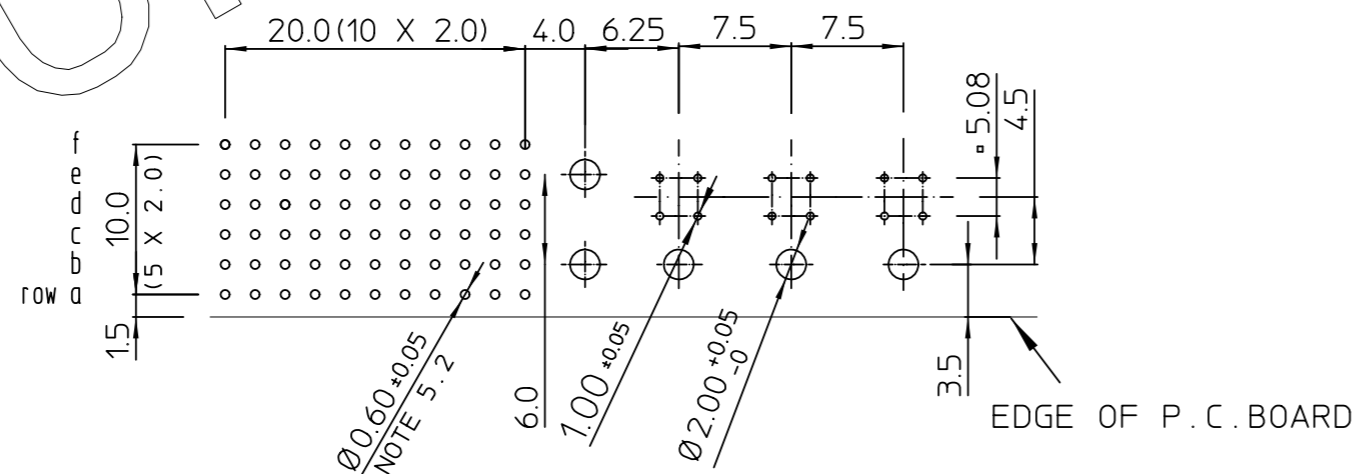
PERFORMANCE CHARACTERISTICS (SIGNAL CONTACTS)

- CURRENT RATING : 1.5 A AT 20°C ( FULLY LOADED )
- CURRENT RATING : 1 A AT 70°C ( FULLY LOADED )
- RATED VOLTAGE : 500 V AC (CONT / CONT )
- OPERATING TEMPERATURE : -55°C TO 125°C
- CONTACT RESISTANCE : 20 mΩ MAX
- INSERTION FORCE : 0.75 N MAX / CONT
- EXTRACTION FORCE : 0.15 N MIN / CONT
- INSULATION RESISTANCE : 10<sup>4</sup> MΩ MIN

NOTES.

- PLATING: HM2E--P----- PLATING CODE (DIGIT 13 AND 14)  
 -SIGNAL CONTACTS -> "----" PERFORMANCE LEVEL INDICATION: Z1 = PL3 (SEE CAT.NR.) N9 = PL2 E9 = PL1  
 -POWER CONTACTS -> 1.5 μm Au over 2.0 μm Ni
- THIS PRODUCT IS CSA APPROVED.  
THIS PRODUCT IS UL RECOGNIZED.
- FOR ACTUAL CONTACT LOADING SEE "LOADING POWER CONTACTS".

LAY-OUT P.C.B. - HOLE



FEMALE SIGNAL RIGHT ANGLE PRESS-FIT-TO-BOARD CONNECTOR WITH PRE-ASSEMBLED POWER PRESS-FIT CONTACTS

1DEC ±0,2 1DEC 2DEC ±0,1 2DEC ANGLES ±1° HOEKEN	<b>APPR.</b> DRAFT CHECKED	<b>DATE</b> 280103	<b>SIGN.</b> M.Fret	MPACS 5R RA RCP CONN TYPE M / 3 SOLD POW CONT
WE RESERVE THE RIGHT TO CHANGE DIMENSIONS OR REQUIREMENTS WITHOUT PRIOR NOTICE.	PROD. MGR. PR. ENG. MGR. PR. MGT. MGR.			<b>CAT. No.</b> HM2E31PJ60G0--
ALL DIMENSIONS IN MM	<b>REFERENCES / REFERENTIES</b>		<b>FCI</b>	FCI MECHELEN N.V. A. SPINOYSTRAAAT 8, 2800 MECHELEN
				SCALE 3 / 1
ALLE AFMETINGEN IN MM	BS,C , 202444 , 016			A
	DRAWING No.			CUSTOMER DRAWING
				REVISION